



The AirLink LX60 provides LTE connectivity and Wi-Fi for primary and secondary/ backup retail

## LX60 Product Description

The AirLink® LX60 LTE provides LTE connectivity and Wi-Fi for primary and secondary/backup retail applications including ATMs, kiosks and POS terminals. Also supports taxis and fleets.

### AIRLINK LX60 LTE

Cat-4 LTE router capable of 150 Mbps downlink and 50 Mbps uplink speeds.

## Ideal Applications

Primary or backup network connectivity for:

- Retail, Digital Signage
- POS
- Taxis and Commercial Fleets
- Small branch offices
- Industrial IoT
- Building automation

## Benefits

- Out-of-the box connectivity delivers same day operations
- Enables business continuity through simplified failover
- Connect virtually anywhere – without a need for wires or broadband
- Expand new services with global device connectivity
- Remote router management and comprehensive services through AirLink Complete

## LX60 Services and Support



### AIRLINK COMPLETE

Maximize your AirLink LX60 hardware investment with AirLink Complete – a comprehensive service package designed to empower you with the tools and support necessary to secure, optimize and effortlessly scale your LX60 deployments.

AirLink Complete includes\*:

- **AirLink Management Service (ALMS)** for remote device and security management
- **Expert technical support**
- **Extended hardware warranty** – up to 5 years maximum
- For more information on AirLink Complete visit our [web page](#)

*\*With active subscription. 1-year subscription included with the LX60 purchase*



### AIRLINK PREMIUM

Ideal for organizations managing mission-critical vehicle fleets, this service upgrade encompasses all the benefits of [AirLink Complete](#)\*, enhanced with:

- **Advanced Mobility Reporting\***: Offers comprehensive coverage and fleet reporting to monitor your network and vehicles.
- **Advance Replacement\***: Provides same-day shipping for in-warranty router replacements, minimizing downtime, spare inventory and keeping your operations running smoothly.

*\*With active subscription.*



### ANTENNAS

- Tested and certified to provide guaranteed performance with all AirLink routers
- Accelerate deployment with always-on, end-to-end connectivity
- For more information on antennas specific to the LX60 router visit our [web page](#)

## AirLink LX60 – Router Specifications

CELLULAR	
Peak D/L	
North America	Up to 150 Mbps, Cat-4 (WP7610)
EMEA	Up to 150 Mbps, Cat-4 (WP7607)
AU&NZ	Up to 150 Mbps, Cat-4 (WP7609)
Peak U/L	
North America	Up to 50 Mbps
EMEA	Up to 50 Mbps
AU&NZ	Up to 50 Mbps
4G LTE	
Frequency Bands	
North America	B2, B4, B5, B12, B13, B17, B66
EMEA	B1, B3, B7, B8, B20, B28
AU&NZ	B1, B3, B5, B7, B8, B28
3G WCDMA/HSPA+	
Frequency Bands	
North America	B2, B4, B5
EMEA	B1, B8
AU&NZ	B1, B5, B8
2G GSM/GPRS	
EMEA	900, 1800

APPROVALS	
Regulatory	
North America	FCC, IC/ISED, PTCRB
EMEA	GCF, CE
AU&NZ	GCF, RCM
Carrier	
North America	AT&T, Verizon, T-Mobile
PART NUMBERS	
North America	1104580, 1104572 (Wi-Fi + GNSS), 1104493 (Wi-Fi + GNSS + Telemetry)
EMEA	1104046, 1104047 (Wi-Fi + GNSS)
AU&NZ	1104048, 1104049 (Wi-Fi + GNSS)
HOST INTERFACES	
2 Gigabit RJ-45 Ethernet ports RS-232 serial port (DB-9) USB 2.0 Micro-B Connector 3 SMA antenna connectors (cellular, diversity, GNSS) 1 RP SMA antenna connector (Wi-Fi) Active GNSS antenna support Aux Port (RS-485/GPIO)	
SECURITY	
Remote Authentication (LDAP, RADIUS, TACACS+) DMZ Inbound and Outbound Port filtering Inbound and Outbound Trusted IP MAC Address Filtering Secure Firmware Update	



## AirLink LX60 – Router Specifications

<b>SATELLITE NAVIGATION GNSS (OPTIONAL)</b>		<b>SERIAL</b>	
<p>Dedicated 48 channel GNSS Receiver supporting GPS, GLONASS, BeiDou, Galileo</p> <p>Tracking Sensitivity: -162 dBm</p> <p>Reports (Update Rate 1Hz): NMEA, TAIP</p> <p>Reliable Store and Forward via serial, TCP or UDP</p> <p>Inertial Navigation Sensors (Accelerometer and Gyro)</p>		<p>TCP/UDP PAD Mode</p> <p>Modbus (ASCII, RTU, Variable)</p> <p>PPP</p> <p>DNP3 Interoperability</p>	
<b>WI-FI (Optional)</b>		<b>NETWORK AND ROUTING</b>	
<p>Dual Band 2.4/5GHz Wi-Fi</p> <p>802.11 b/g/n/ac (Wave2 Client Mode)</p> <p>Support for 10 clients, WPA2 Enterprise</p> <p>Output power 16dBm</p> <p>Access Point or Client Mode (Wi-Fi as WAN)</p> <p>Single SSID Support</p> <p>Captive Portal</p>		<p>Network Address Translation (NAT) Reliable Static Route</p> <p>Port Forwarding Dynamic DNS</p> <p>Policy Routing Verizon PNTM</p> <p>NEMO/DMNR IPV6 Gateway</p> <p>VRP</p>	
<b>LAN (ETHERNET/USB)</b>		<b>VPN</b>	
<p>DHCP Server</p> <p>IP Passthrough</p> <p>VLAN</p> <p>Host Interface Watchdog</p> <p>PPPoE</p>		<p>IPsec, GRE, and OpenVPN Client</p> <p>Up to 5 concurrent tunnels</p> <p>Split Tunnel</p> <p>Dead Peer Detection (DPD)</p>	
<b>ENVIRONMENTAL</b>		<b>ROUTER MANAGEMENT INTERFACES</b>	
<b>Temperature</b>	<p><b>Operating Temperature:</b> -20°C to +65°C / -4°F to +149°F</p> <p><b>Storage Temperature:</b> -40°C to +85°C / -40°F to +185°F</p> <p>Humidity: 90% RH @ 60°C</p>	<p>Local web user interface</p> <p>AT Command Line Interface (Telnet/SSH/Serial)</p> <p>SNMP</p> <p>SMS Commands</p>	
<p>Military Spec MIL-STD-810G conformance to shock, vibration, thermal shock, and humidity</p> <p>IP20 rated ingress protection</p>		<b>APPLICATION FRAMEWORK</b>	
<b>POWER</b>		<p>ALEOS Application Framework (AAF)</p> <p>LUA Scripting Language</p>	
<b>Input/Operating Voltage</b>	7 to 36 VDC	<b>EVENTS ENGINE</b>	
<b>Power modes</b>	<p>Low voltage disconnect to prevent battery drain</p> <p>Built-in protection against voltage transients including 5 VDC engine cranking</p> <p>Ignition Sense with time delay shutdown</p>	<p>Custom event triggers and reports</p> <p>Configurable interface, no programming</p> <p><b>Event Types:</b> Digital Input, Network Parameters, Data Usage, Timer, Power, Device Temperature and Voltage</p> <p><b>Report Types:</b> RAP, SMS, Email, SNMP Trap, TCP (Binary, XML, CSV)</p> <p><b>Event Actions:</b> Drive Relay Output</p>	
<b>INPUT/OUTPUT</b>		<b>VEHICLE TELEMETRY</b>	
<p>Configurable I/O (5 pins total)</p> <ul style="list-style-type: none"> <li>5 Digital Inputs: ON Voltage: 2.7 to 36 VDC</li> <li>1 Digital Open Collector Output &gt; sinking 300 mA</li> <li>3 Analog Inputs: 0.5-5/0.5-10 VDC (range selectable)</li> <li>Configurable Pull-ups for dry contact input</li> </ul>		<p>OBD II J1939 interface over serial (optional)</p> <p>Diagnostic real time alerts/reports (via AMM)</p>	
		<b>INDUSTRY CERTIFICATIONS</b>	
<b>Safety</b>		<p>IECE Certification Bodies Scheme (CB Scheme)</p> <p>CSA-C22.2 No. 62368-1, UL 62368-1, EN/IEC 62368-1**</p>	
<b>Vehicle Usage</b>		<p>ISO7637-2, SAE J1455 (Shock, Vibration, Electrical)</p>	
<b>Environmental</b>		<p>RoHS2, REACH, WEEE</p>	
<b>Hazardous Environments</b>		<p>Class 1 Div 2 - Ambient temperatures of 0°C to +60°C</p>	

\*For carrier specific band support please refer to the hardware user guide.

\*\* Ambient temperatures of -30°C to +60°C

## AirLink LX60 – Router Specifications

<b>AIRLINK COMPLETE</b> (1 Year Included With Router Purchase)	
<b>Support</b>	24/7 technical support*
<b>Hardware Warranty</b>	1-year standard hardware warranty Extended hardware warranty up to 5 years with current subscription**
<b>Device Management</b>	AirLink Management Service (ALMS)*
<b>Software Updates</b>	Unrestricted critical firmware updates through at least December 31st, 2029
<b>AIRLINK PREMIUM</b> (Optional Upgrade) Includes All Airlink Complete Features* and Adds:	
<b>Advanced Mobility Reporting</b>	Coverage and fleet reporting***
<b>Advance Replacement</b>	Same-day shipping for in-warranty router replacements***

\*With current AirLink Complete subscription

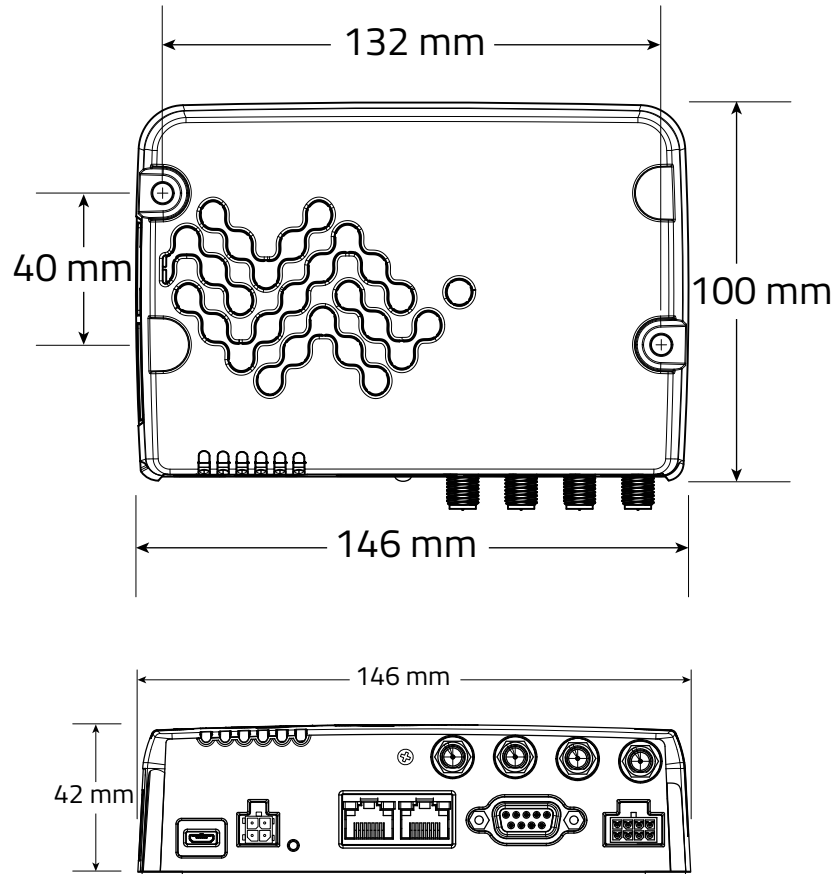
\*\*Full warranty terms are available at [www.sierrawireless.com/end-user-warranty](http://www.sierrawireless.com/end-user-warranty)

\*\*\*With current AirLink Premium subscription

<b>ACCESSORIES</b>	
<b>In the box</b>	LX60, DC power cable, AirLink Complete leaflet and quick start guide. Other Accessories (sold separately): <ul style="list-style-type: none"> <li>• 2000579 AC Adapter, 12VDC</li> <li>• 6001214 DIN Rail Bracket</li> <li>• 6001004 I/O Cable</li> <li>• 6001110 Cellular Paddle Antenna</li> <li>• 6001111 Wi-Fi 2.4/5Hz Paddle Antenna</li> </ul> For Antenna options visit: <a href="http://Semtechwireless.com/antennas">Semtechwireless.com/antennas</a> For Telemetry Variant (1104493): 6001204 OBD-II Y Cable 6001192 J1939 Y Cable
<b>CONSTRUCTION</b>	
	Polycarbonate housings that meet MIL-810/IP20 environmental standards.
<b>DIMENSIONS</b>	
	146 mm x 42 mm x 100 mm (106 mm including connectors) 5.74 in x 1.65 in x 3.93 in (4.17 in including connectors) Weight: 250g



## AirLink LX60 – Router Dimensions Diagram



### About Semtech

Semtech Corporation (Nasdaq: SMTC) is a high-performance semiconductor, IoT systems and cloud connectivity service provider dedicated to delivering high-quality technology solutions that enable a smarter, more connected and sustainable planet. Our global teams are committed to empowering solution architects and application developers to develop breakthrough products for the infrastructure, industrial and consumer markets.

To learn more about Semtech technology, visit us at [Semtech.com](https://www.semtech.com) or follow us on [LinkedIn](#) or [X](#). "Semtech", "Sierra Wireless" and "AirLink" are registered trademarks of Semtech Corporation or its subsidiaries. Other product or service names mentioned herein may be the trademarks of their respective owners. © 2023 Sierra Wireless, Inc. © 2024 Semtech Corporation. All rights reserved. 2026.03.25