



**Ultra Compact
LTE Commercial
Router for Security
Cameras, Digital
Signage, IoT
and Small Business**

LX40 Product Description

The AirLink® LX40 is a compact LTE router offering “out-of-the box” LTE and Wi-Fi connectivity that is simple to install. Supports security, digital signage and IoT applications in fixed, protected environments.

AIRLINK LX40 LTE

Cat-4 LTE router capable of 150 Mbps downlink and 50 Mbps uplink speeds.

Ideal Applications

IoT and enterprise applications including:

- Surveillance cameras
- Digital signage
- POS terminals
- Smart lockers
- Small business connectivity
- Distance learning

Benefits

- Out-of-the-box connectivity speeds time to operation
- Connect to a wide variety of devices from video to low-power IoT
- Compact size helps expand application deployment
- Leverage the world of IoT to drive new business opportunities
- Remote router management and comprehensive services through AirLink Complete

LX40 Services and Support



AIRLINK COMPLETE

Maximize your AirLink LX40 hardware investment with AirLink Complete – a comprehensive service package designed to empower you with the tools and support necessary to secure, optimize and effortlessly scale your LX40 deployments.

AirLink Complete includes*:

- **AirLink Management Service (ALMS)** for remote device and security management
- **Expert technical support**
- **Extended hardware warranty** – up to 5 years maximum
- For more information on AirLink Complete visit our [web page](#)

**With active subscription. 1-year subscription included with the LX40 purchase*



AIRLINK PREMIUM

Ideal for organizations managing mission-critical vehicle fleets, this service upgrade encompasses all the benefits of [AirLink Complete](#)*, enhanced with:

- **Advanced Mobility Reporting***: Offers comprehensive coverage and fleet reporting to monitor your network and vehicles.
- **Advance Replacement***: Provides same-day shipping for in-warranty router replacements, minimizing downtime, spare inventory and keeping your operations running smoothly.

**With active subscription.*



ANTENNAS

- Tested and certified to provide guaranteed performance with all AirLink routers
- Accelerate deployment with always-on, end-to-end connectivity
- For more information on antennas specific to the LX40 router visit our [web page](#)

AirLink LX40 – Router Specifications

CELLULAR	
Peak D/L	
North America	Up to 150 Mbps, Cat-4 (WP7610)
EMEA	Up to 150 Mbps, Cat-4 (WP7607)
AU&NZ	Up to 150 Mbps, Cat-4 (WP7609)
Peak U/L	
North America	Up to 50 Mbps
EMEA	Up to 50 Mbps
AU&NZ	Up to 50 Mbps
4G LTE	
Frequency Bands	
North America	B1, B4, B5, B12, B13, B14, B17, B66
EMEA	B1, B3, B7, B8, B20, B28
AU&NZ	B1, B3, B5, B7, B8, B28
3G WCDMA/HSPA+	
Frequency Bands	
North America	B2, B4, B5
EMEA	B1, B8
AU&NZ	B1, B5, B8
2G GSM/GPRS	
EMEA	900, 1800

APPROVALS	
Regulatory	
North America	FCC, IC/ISED, PTCRB
EMEA	GCF, CE
AU&NZ	GCF, RCM
Carrier	
North America	AT&T, FirstNet®, Verizon, T-Mobile
PART NUMBERS	
North America	1104579, 1104573 (WiFi)
EMEA	1104181, 1104182 (Wi-Fi)
AU&NZ	1104183, 1104184 (Wi-Fi)
HOST INTERFACES	
1 Gigabit RJ-45 Ethernet Port (POE) USB 2.0 Micro-B Connector 2 SMA antenna connectors (cellular, diversity) 1 RP SMA antenna connector (Wi-Fi)	
SECURITY	
Remote Authentication (LDAP, RADIUS, TACACS+) DMZ Inbound and Outbound Port filtering Inbound and Outbound Trusted IP MAC Address Filtering Secure Firmware Update	



AirLink LX40 – Router Specifications

WI-FI (Optional)	
	Dual Band 2.4/5GHz Wi-Fi 802.11 b/g/n/ac (Wave2 Client Mode) Support for 10 clients, WPA2 Enterprise Output power 16dBm per channel Access Point or Client Mode (Wi-Fi as WAN) Single SSID Support Captive Portal
LAN (ETHERNET/USB)	
	DHCP Server IP Passthrough VLAN Host Interface Watchdog PPPoE
ENVIRONMENTAL	
Temperature	Operating Temperature: -20°C to +65°C / -4°F to +149°F (+60°C / +140°F when using PoE) Storage Temperature: -40°C to +85°C / -40°F to +185°F Humidity: 90% RH @ 60°C
	Military Spec MIL-STD-810G conformance to shock, vibration, thermal shock, and humidity IP21 rated ingress protection
POWER	
Input/Operating Voltage	7 to 36 VDC
Power modes	Low voltage disconnect to prevent battery drain Built-in protection against voltage transients Power-over-Ethernet (PoE) powered device Ignition Sense with time delay shutdown
INPUT/OUTPUT	
	Configurable I/O pin on power connector <ul style="list-style-type: none"> Digital Inputs: ON Voltage: 2.7 to 36 VDC Configurable Pull-ups for dry contact input Digital Open Collector Output > sinking 500 mA Analog Inputs: 0.5-36VDC (range selectable)

*For carrier specific band support please refer to the hardware user guide.

NETWORK AND ROUTING	
	Network Address Translation (NAT) Reliable Static Route Port Forwarding Dynamic DNS Policy Routing Verizon PNTM NEMO/DMNR IPV6 Gateway VRRP
VPN	
	IPsec, GRE, and OpenVPN Client Up to 5 concurrent tunnels Split Tunnel Dead Peer Detection (DPD)
ROUTER MANAGEMENT INTERFACES	
	Local web user interface AT Command Line Interface (Telnet/SSH) SNMP SMS Commands
APPLICATION FRAMEWORK	
	ALEOS Application Framework (AAF) LUA Scripting Language
EVENTS ENGINE	
	Custom event triggers and reports Configurable interface, no programming Event Types: Digital Input, Network Parameters, Data Usage, Timer, Power, Device Temperature and Voltage Report Types: RAP, SMS, Email, SNMP Trap, TCP (Binary, XML, CSV) Event Actions: Drive Relay Output
INDUSTRY CERTIFICATIONS	
Safety	IECEE Certification Bodies Scheme (CB Scheme), UL 60950
Vehicle Usage	E-Mark (UN ECE Regulation 10.04), ISO7637-2, SAE J1455 (Shock, Vibration, Electrical)
Environmental	RoHS2, REACH, WEEE
Public Safety	FirstNet®



AirLink LX40 – Router Specifications

AIRLINK COMPLETE (1 Year Included With Router Purchase)	
Support	24/7 technical support*
Hardware Warranty	1-year standard hardware warranty Extended hardware warranty up to 5 years with current subscription**
Device Management	AirLink Management Service (ALMS)*
Software Updates	Unrestricted critical firmware updates through at least December 31st, 2029
AIRLINK PREMIUM (Optional Upgrade) Includes All Airlink Complete Features* and Adds:	
Advanced Mobility Reporting	Coverage and fleet reporting***
Advance Replacement	Same-day shipping for in-warranty router replacements***

*With current AirLink Complete subscription

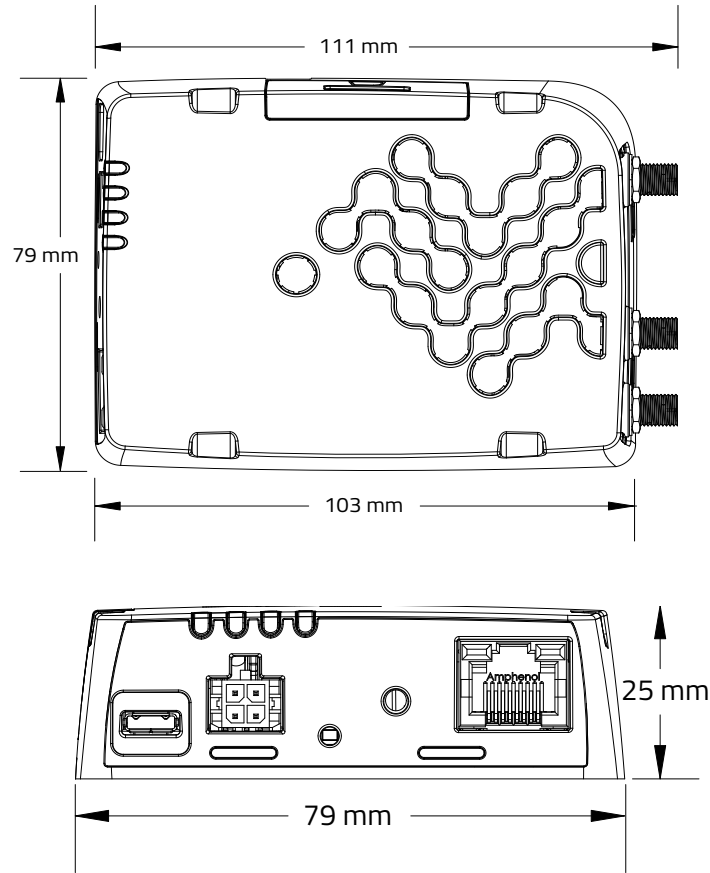
**Full warranty terms are available at www.sierrawireless.com/end-user-warranty

***With current AirLink Premium subscription

ACCESSORIES	
In the box	LX40, DC Power Cable, AirLink Complete leaflet and Quick Start Guide. Other Accessories (sold separately): <ul style="list-style-type: none"> • 2000579 AC Adapter, 12VDC • 6001221 DIN Rail Bracket • 6001110 Cellular Paddle Antenna • 6001111 Wi-Fi 2.4/5Hz Paddle Antenna For antenna options visit: Semtechwireless.com/antennas
CONSTRUCTION	
	Polycarbonate housings that meet MIL-810/IP21 environmental standards.
DIMENSIONS	
	103 mm (111 mm including connectors) x 79 mm x 25 mm 4.1 in (4.4 in including connectors) x 3.1 in x 1.0 in Weight: 250g



AirLink LX40 – Router Dimensions Diagram



About Semtech

Semtech Corporation (Nasdaq: SMTC) is a high-performance semiconductor, IoT systems and cloud connectivity service provider dedicated to delivering high-quality technology solutions that enable a smarter, more connected and sustainable planet. Our global teams are committed to empowering solution architects and application developers to develop breakthrough products for the infrastructure, industrial and consumer markets.

To learn more about Semtech technology, visit us at [Semtech.com](https://www.semtech.com) or follow us on [LinkedIn](#) or [X](#). "Semtech", "Sierra Wireless" and "AirLink" are registered trademarks of Semtech Corporation or its subsidiaries. Other product or service names mentioned herein may be the trademarks of their respective owners. © 2023 Sierra Wireless, Inc. © 2024 Semtech Corporation. All rights reserved. 2024.11.12