



Sierra Wireless Antenna – 4-in-1 Wi-Fi

With four omni-directional dual band Wi-Fi elements in a single housing, the 4-in-1 Wi-Fi is built for internal/external use, and is tested and certified to operate with AirLink routers and gateways with Wi-Fi capability, requiring 4x4 MiMo connectivity.

Each element is isolated from the others with a separate feed and covers both the 2.4GHz and 5.0GHz bands. The 4-in-1 Wi-Fi is easy to install and comes with 4m low-loss cables.

		Specification
PART NO.		6001351 (Black) / 6001352 (White)
ELECTRICAL DATA		
Frequency Range		2.3-2.7 / 4.9-6GHz
Operational Bands		2.4/5GHz Wi-Fi
Peak gain: Isotropic		4dBi (2.4GHz) / 6dBi (5GHz)
Typical VSWR		<2:1
Typical Isolation		>12dB
Pattern		Omni-directional
Polarisation		Vertical
Impedance		50Ω
Max Input Power		25W
MECHANICAL DATA		
Dimensions	Height	30mm (1.18")
	Diameter	115mm (4.52")
Operating Temp		-30° / +70° C (-22° / +158° F)
Material		ASA Plastic
Ingress Protection		IP69K
Weight		200g

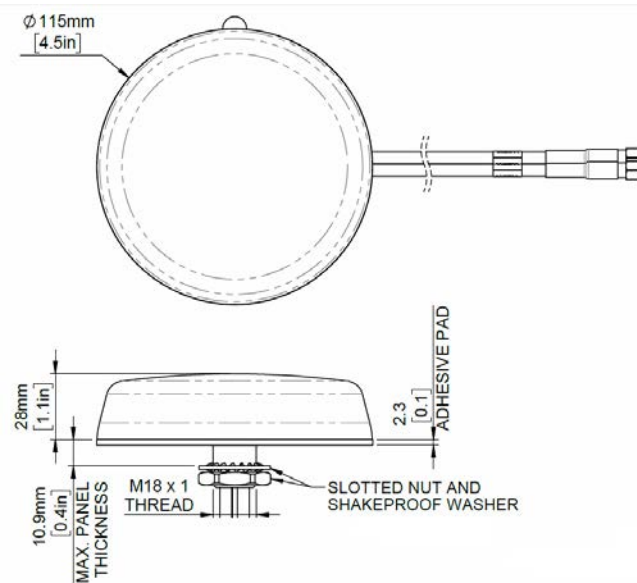
MOUNTING DATA

Mounting Type	Bolt Mount
Mounting Hole	19mm (3/4")

CABLE DATA

Wi-Fi Cables	Type	C32
	Length	5m (16')
	Termination	FAKRA I (Beige)

TECHNICAL DRAWING



About Sierra Wireless

Sierra Wireless (NASDAQ: SWIR) (TSX: SW) is a world leading IoT solutions provider that combines devices, network services, and software to unlock value in the connected economy. Companies globally are adopting 4G, 5G, and LPWA solutions to improve operational efficiency, create better customer experiences, improve their business models, and create new revenue streams. Sierra Wireless works with its customers to develop the right industry-specific solution for their IoT deployments, whether this is an integrated solution to help connect edge devices to the cloud, a software/API service to manage processes with billions of connected assets, or a platform to extract real-time data to improve business decisions. With more than 25 years of cellular IoT experience, Sierra Wireless is the global partner customers trust to deliver them their next IoT solution.

For more information, visit www.sierrawireless.com.